
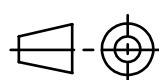
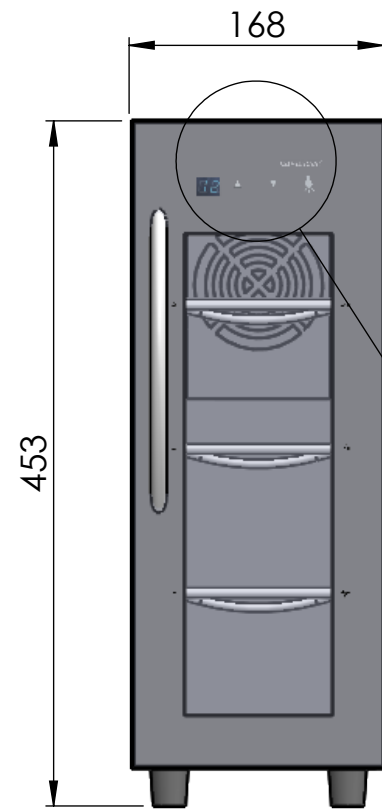
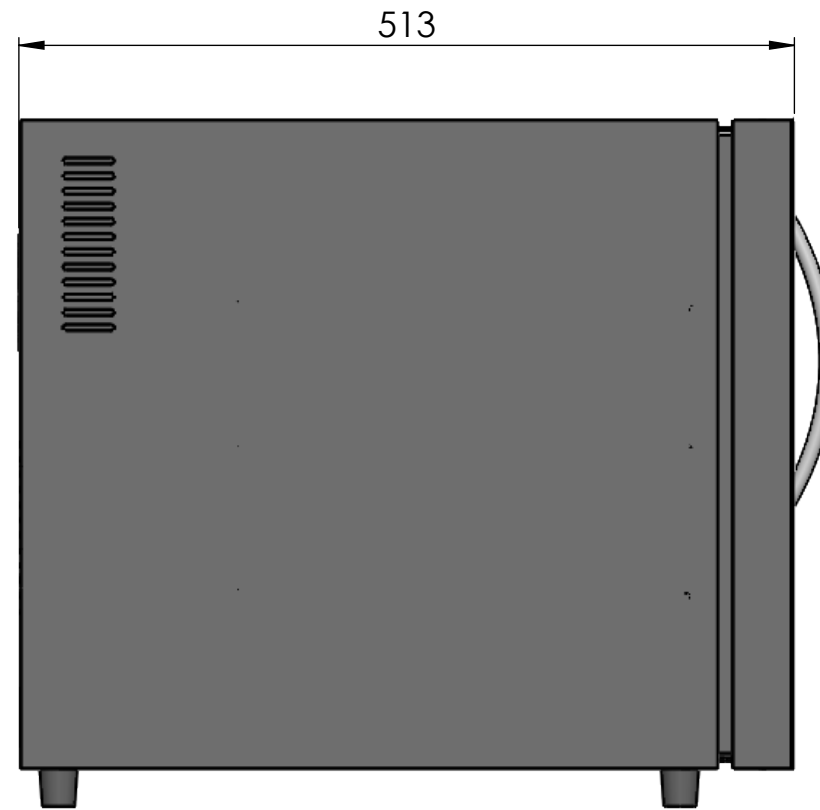


# CV004

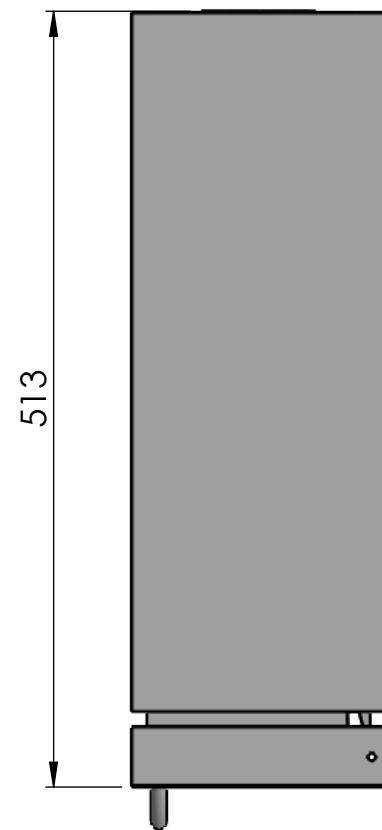
	Date	Name	 <small>THE INFORMATION CONTAINED IN THIS DRAWING IS THE SOLE PROPERTY OF CAVANOVA. ANY REPRODUCTION IN PART OR AS A WHOLE WITHOUT THE WRITTEN PERMISSION OF CAVANOVA IS PROHIBITED.</small>	
Design:	03/12/2018	Diego		
Checked:		Diego		
Modified:		Diego		
Notes:	Scale: 1:10	Part name: CV004	Top assembly: CV004	Client:
		Description: Vinoteca para 4 botellas		Material:
				Reference: CV004
				Count:
				Pages: 1 OF 4



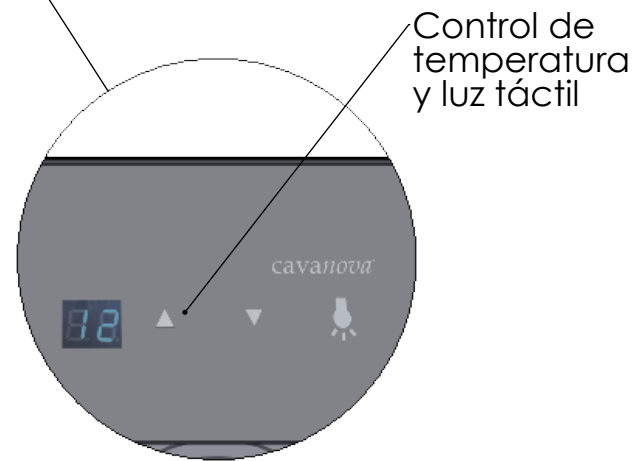
Alzado



Perfil



Planta



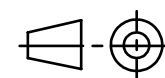
DATOS TÉCNICOS	
VOLUMEN	12L
Rango de temperatura	7-18°C
Botellas	4
Frecuencia	50-60Hz
Consumo	0.35(15°C)
Voltaje	220/240-110/115 V
Ruido	38db
Humedad interior	>70%RH
Sistema de frío	Termoeléctrico

	Date	Name
Design:	03/12/2018	Diego
Checked:		Diego
Modified:		Diego

**cavanoa**  
 THE INFORMATION CONTAINED IN THIS DRAWING IS THE SOLE PROPERTY OF CAVANOVA WINE S.L. IN MÁLAGA, SPAIN. ANY REPRODUCTION IN PART OR AS A WHOLE WITHOUT THE WRITTEN PERMISSION OF CAVANOVA WINE S.L. IS PROHIBITED.

Sign:

Scale: 1:10  
 Unit:

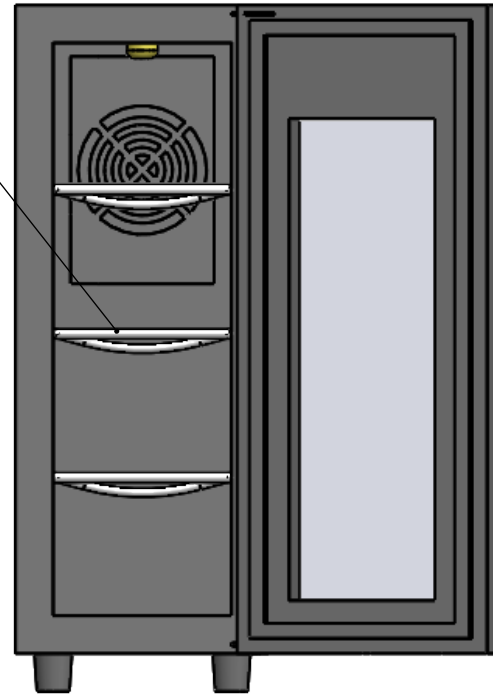


Part name: CV004  
 Top assembly: CV004

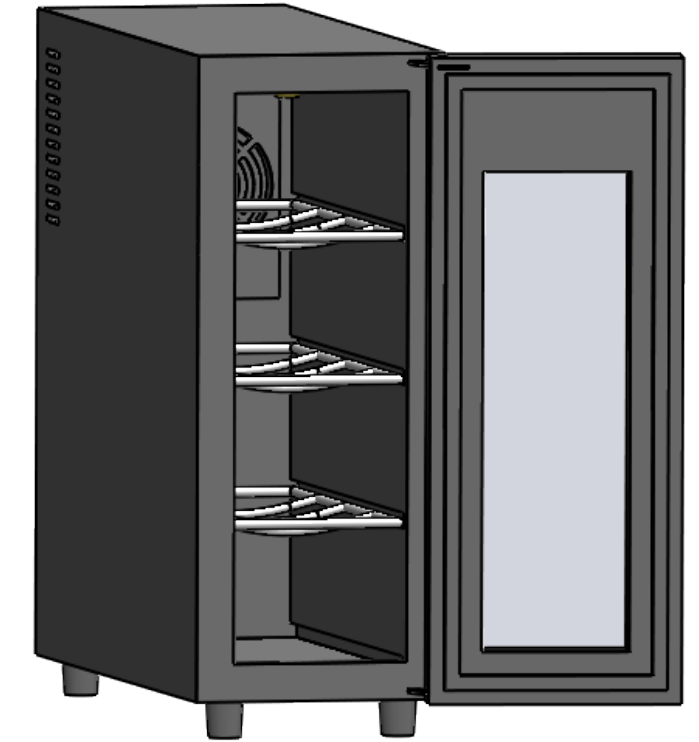
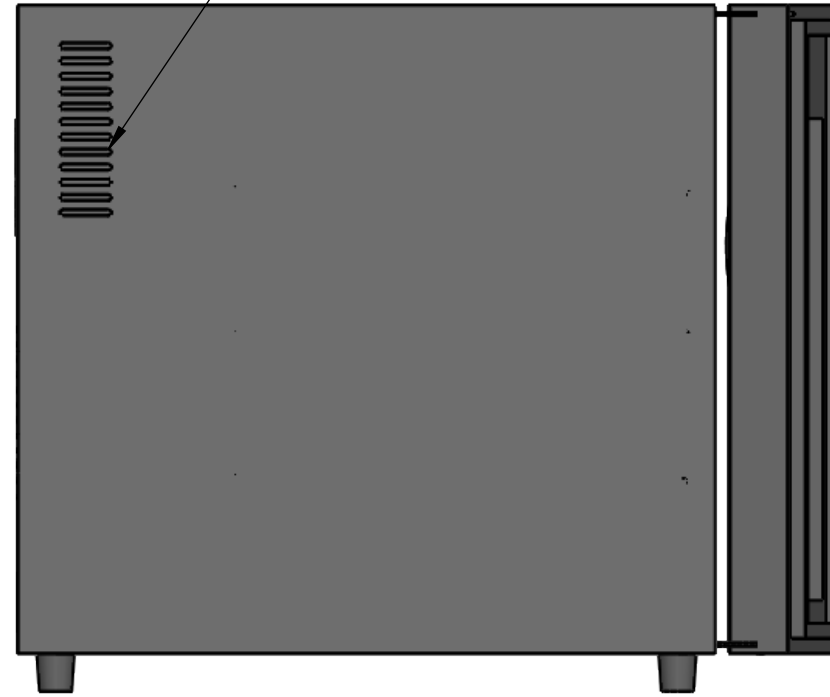
Description:  
 Vinoteca para 4 botellas

Client:  
 Material:  
 Reference: CV004  
 Count:  
 Pages: 2 OF 4

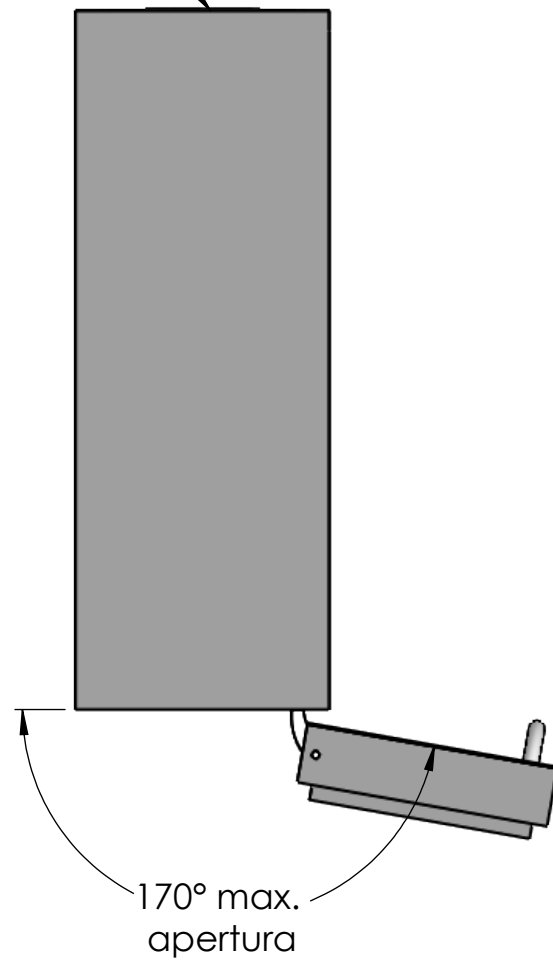
3 Baldas cromadas



ventilación del equipo



ventilación del equipo

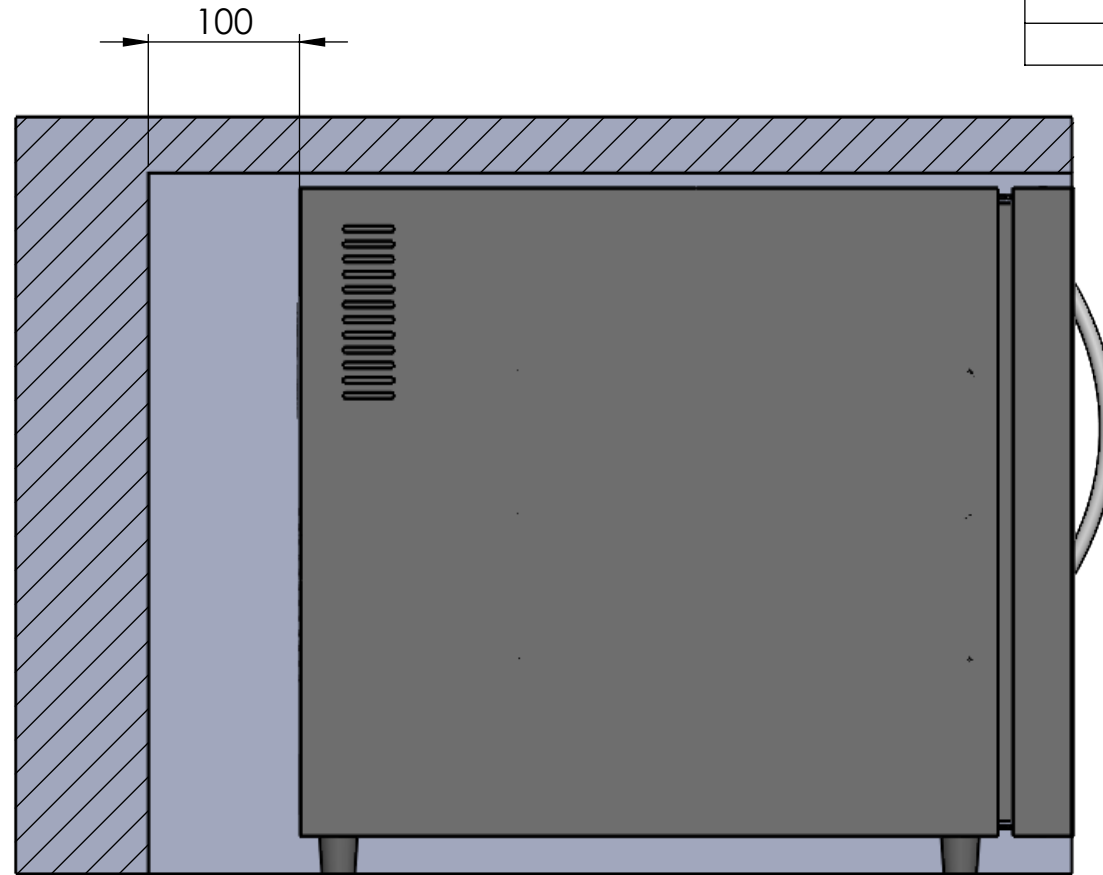
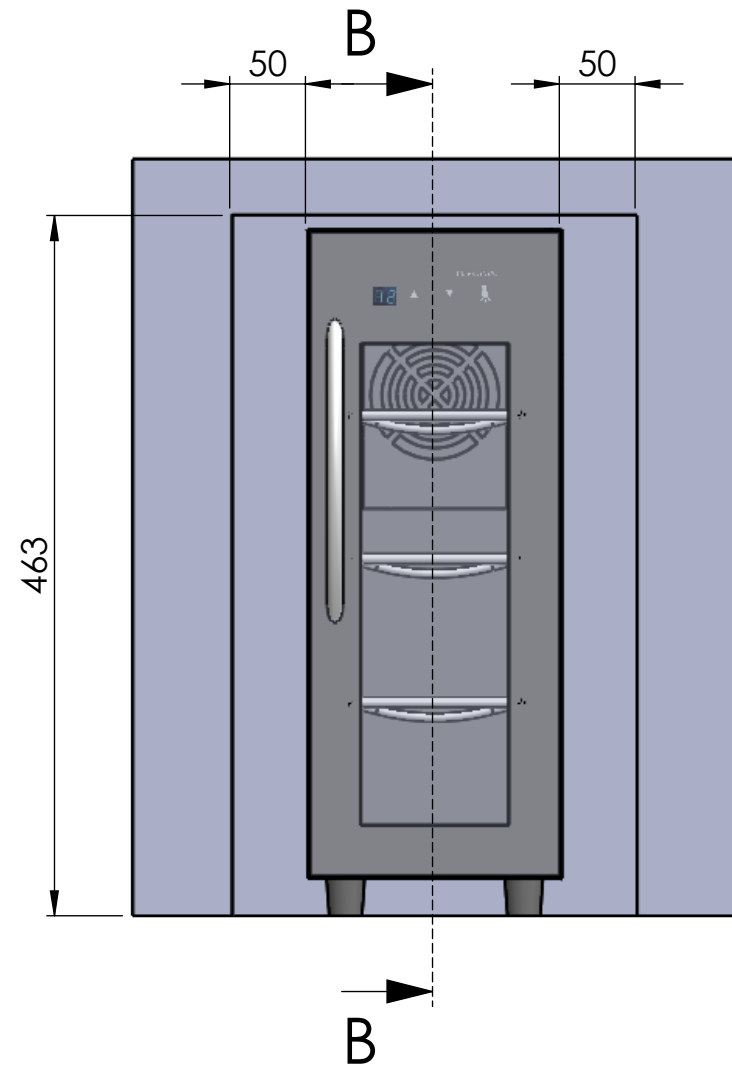


DATOS TÉCNICOS	
VOLUMEN	12L
Rango de temperatura	7-18°C
Botellas	4
Frecuencia	50-60Hz
Consumo	0.35(15°C)
Voltaje	220/240-110/115 V
Ruido	38db
Humedad interior	>70%RH
Sistema de frío	Termoeléctrico

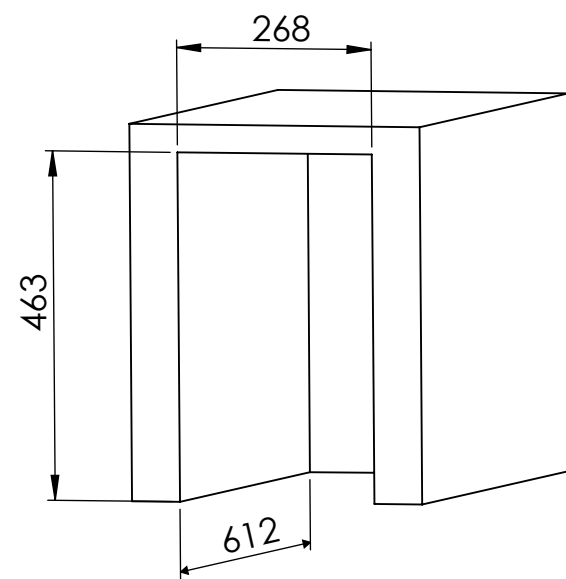
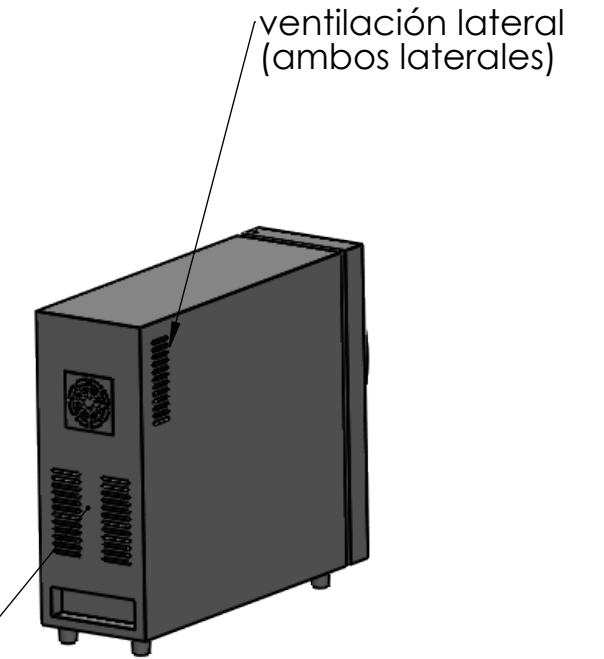
Date	Name	cavanova®	
Design: 03/12/2018	Diego	<small>THE INFORMATION CONTAINED IN THIS DRAWING IS THE SOLE PROPERTY OF CAVANOVA WINE S.L. IN MÁLAGA, SPAIN. ANY REPRODUCTION IN PART OR AS A WHOLE WITHOUT THE WRITTEN PERMISSION OF CAVANOVA WINE S.L. IS PROHIBITED.</small>	
Checked:	Diego		
Modified:	Diego		
Scale: 1:10	Part name: CV004	Top assembly: CV004	Client:
Unit:	Description: Vinoteca para 4 botellas		Material:
			Reference: CV004
			Count:
			Pages: 3 OF 4

Sign:

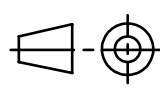
MEDIDAS RECOMENDADAS	
Altura	463mm min
Anchura	50mm por cada lado
Profundidad	100mm separación



SECCIÓN B-B  
ESCALA 1 : 5



Medidas para hueco

Sign: 

Date	Name	cavanova	
Design: 09/10/2018	Diego	<small>THE INFORMATION CONTAINED IN THIS DRAWING IS THE SOLE PROPERTY OF CAVANOVA WINE S.L. IN MÁLAGA, SPAIN. ANY REPRODUCTION IN PART OR AS A WHOLE WITHOUT THE WRITTEN PERMISSION OF CAVANOVA WINE S.L. IS PROHIBITED.</small>	
Checked:	Diego		
Modified:	Diego		
Scale: 1:10 Unit: mm	Part name: CV004-ENTORNO	Top assembly: CV004	Client: Cavanova
	Description: Empotramiento del equipo (built-in)		Material: Varios
			Reference: CV004-ENTORNO
			Count: Pages: 4 OF 4