
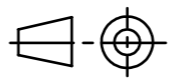
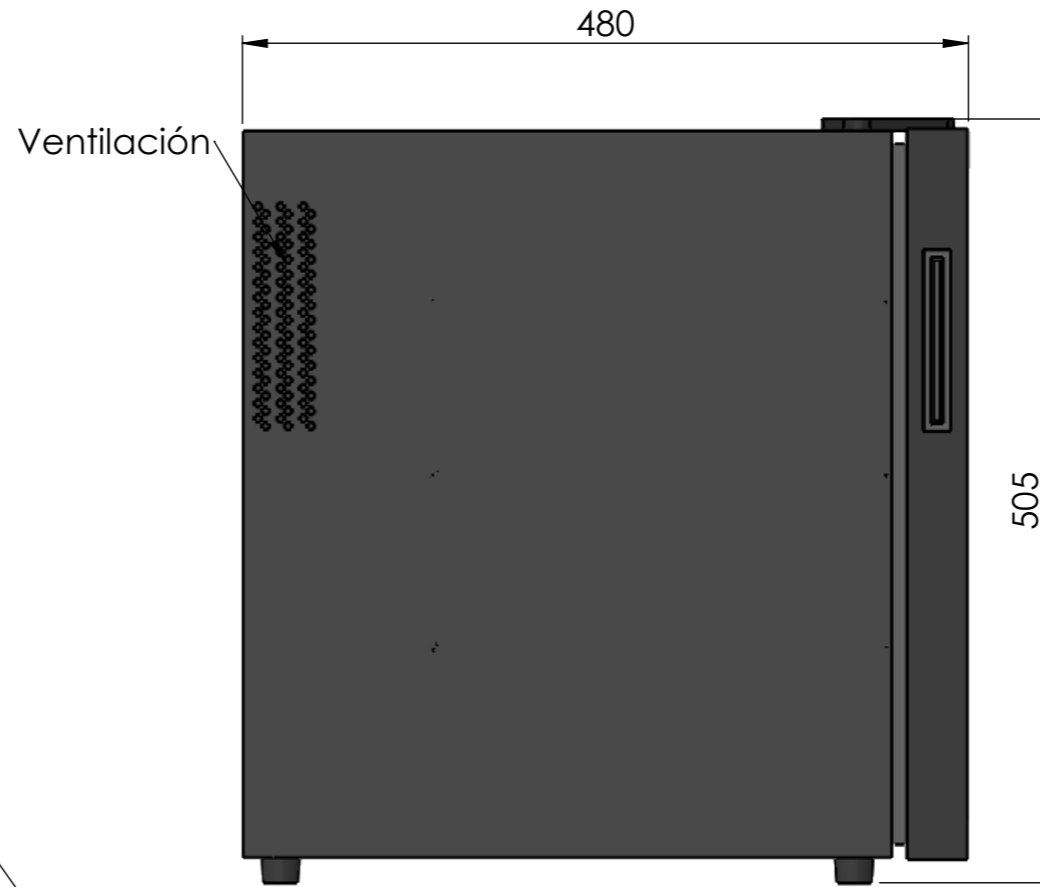


# CV016

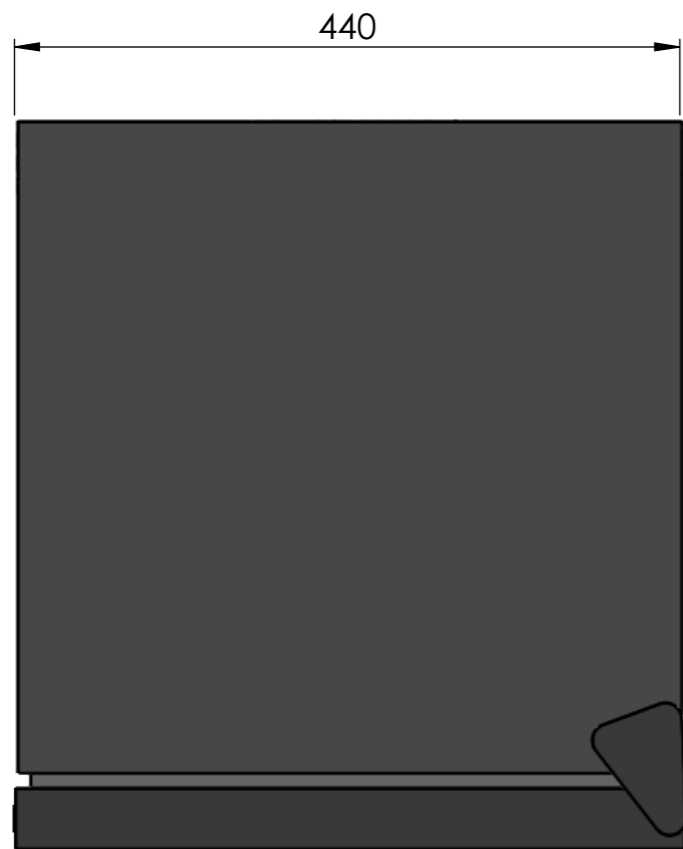
	Date	Name	 <small>THE INFORMATION CONTAINED IN THIS DRAWING IS THE SOLE PROPERTY OF CAVANOVA. ANY REPRODUCTION IN PART OR AS A WHOLE WITHOUT THE WRITTEN PERMISSION OF CAVANOVA IS PROHIBITED.</small>
Design:	03/12/2018	Diego	
Checked:		Diego	
Modified:		Diego	
Notes:	Scale: 1:10	Part name: CV016	Top assembly: CV016
		Description: Vinoteca para 16 botellas	
		Client:	
		Material:	
		Reference: CV016	
		Count:	
		Pages: 1 OF 4	



ALZADO



PERFIL



PLANTA



control  
temperatura  
y luz

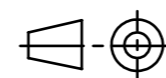
DATOS TÉCNICOS	
Volumen	46L
Botellas	16
Frecuencia	50-60hz
Consumo	1(15°C)kw/d
Voltaje	220/240-110/115V
Ruido	38db
Humedad interior	>70% RH
Sistema de frío	Termoeléctrico
Rango de temperatura	10-18°C

	Date	Name
Design:	03/12/2018	Diego
Checked:		Diego
Modified:		Diego
Scale: 1:10	Part name: CV016	
Unit:	Top assembly: CV016	

**cavanoa**

THE INFORMATION CONTAINED IN THIS DRAWING IS THE SOLE PROPERTY OF CAVANOVA WINE S.L. IN MÁLAGA, SPAIN. ANY REPRODUCTION IN PART OR AS A WHOLE WITHOUT THE WRITTEN PERMISSION OF CAVANOVA WINE S.L. IS PROHIBITED.

Sign:



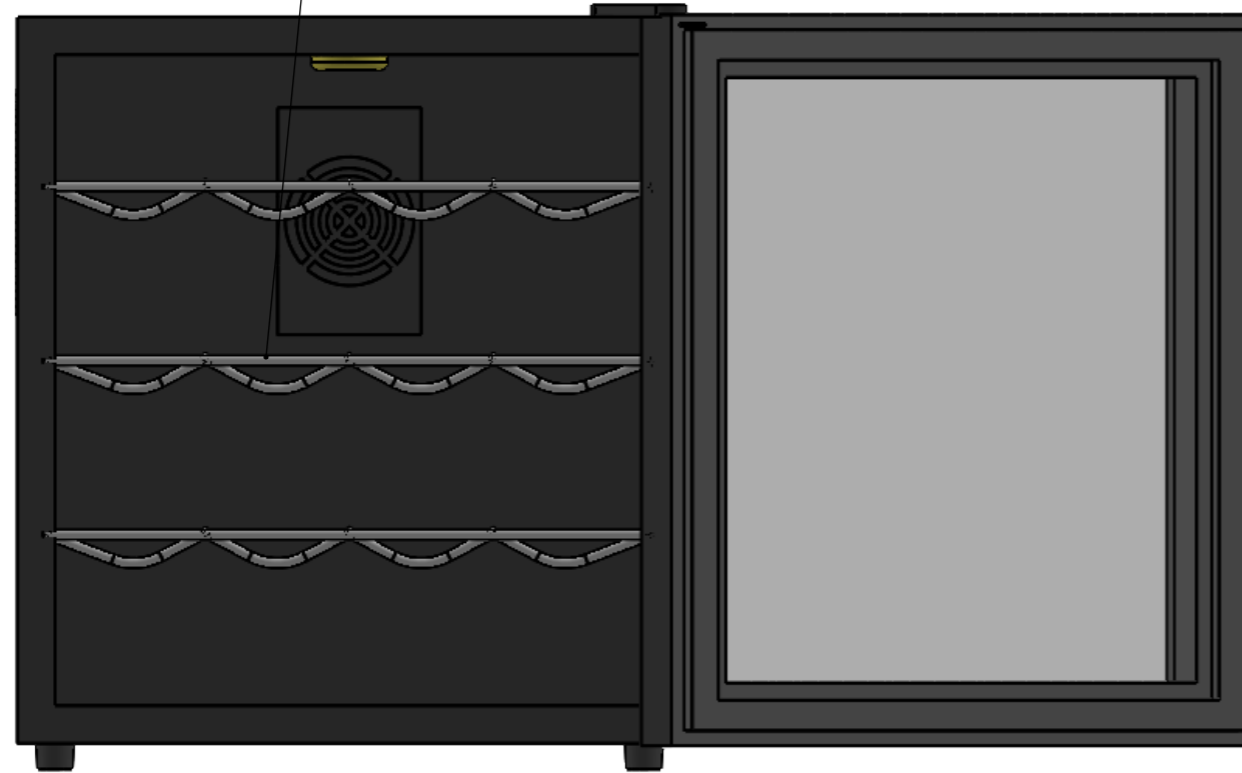
Description:  
Vinoteca para 16 botellas

Client:
Material:
Reference: CV016
Count:
Pages: 2 OF 4

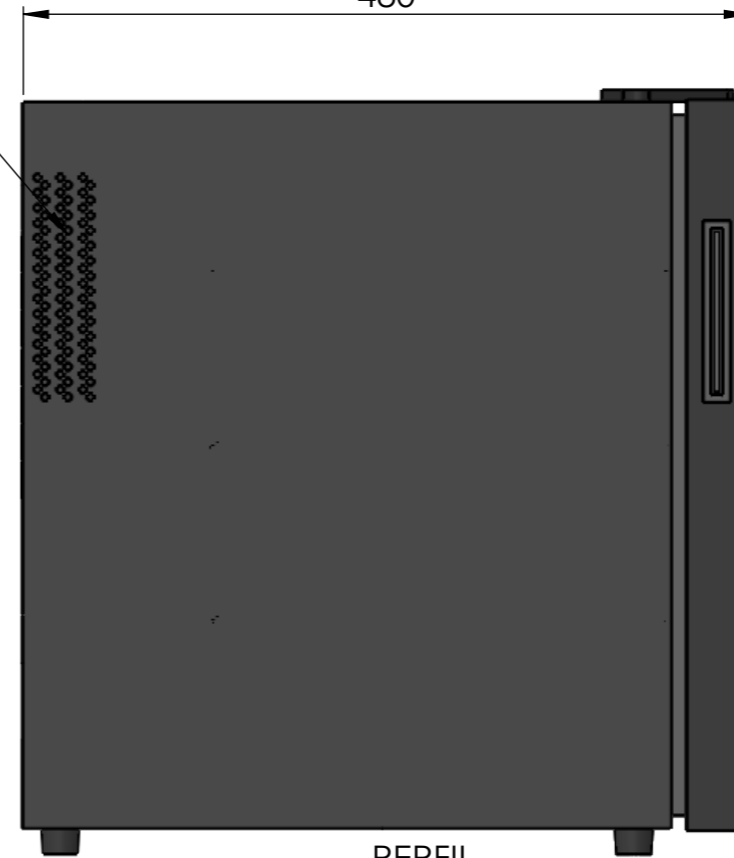
3 baldas cromadas

Ventilación

480



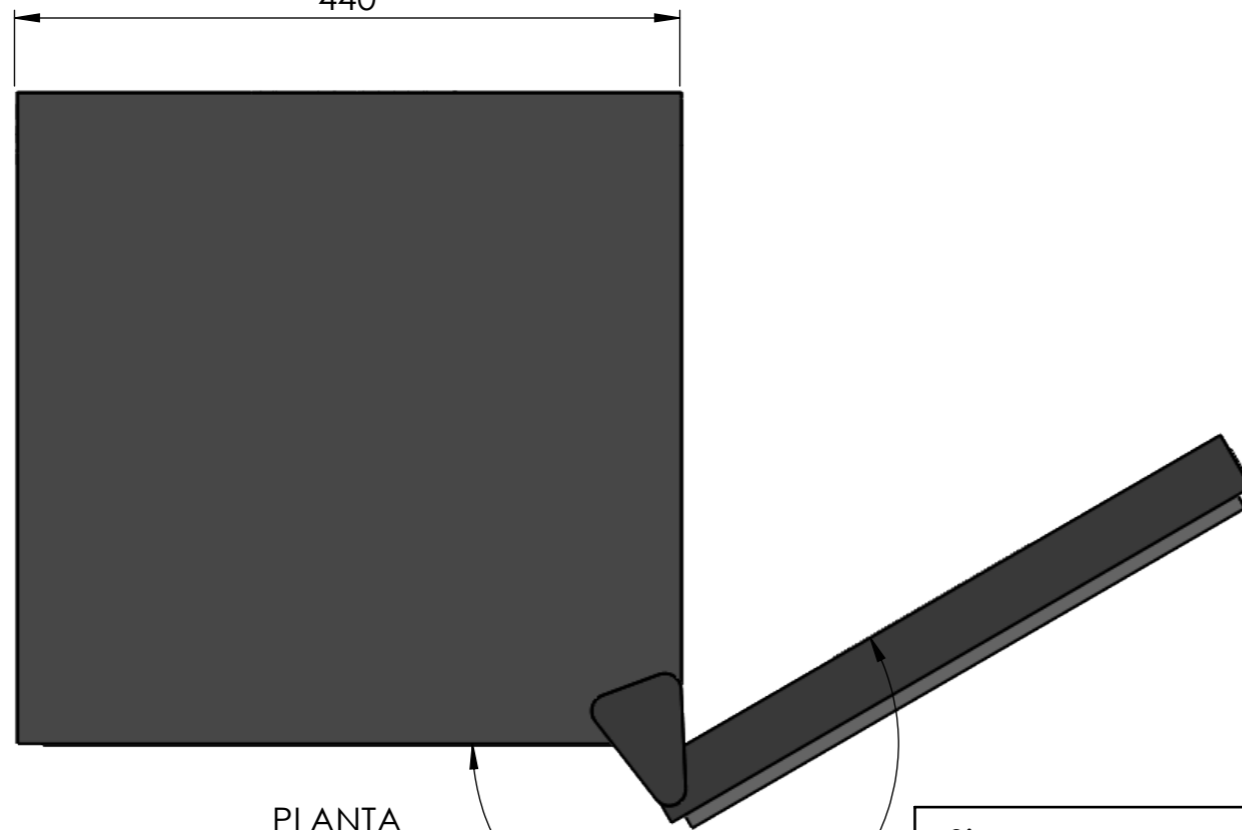
ALZADO



PERFIL



440



PLANTA

210°max.  
apertura

DATOS TÉCNICOS

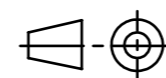
Volumen	46L
Botellas	16
Frecuencia	50-60hz
Consumo	1(15°C)kw/d
Voltaje	220/240-110/115V
Ruido	38db
Humedad interior	>70% RH
Sistema de frío	Termoeléctrico
Rango de temperatura	10-18°C

	Date	Name
Design:	03/12/2018	Diego
Checked:		Diego
Modified:		Diego
Scale: 1:10	Part name:	CV016
Unit:	Top assembly:	CV018M

**cavano**

THE INFORMATION CONTAINED IN THIS DRAWING IS THE SOLE PROPERTY OF CAVANOVA WINE S.L. IN MÁLAGA, SPAIN. ANY REPRODUCTION IN PART OR AS A WHOLE WITHOUT THE WRITTEN PERMISSION OF CAVANOVA WINE S.L. IS PROHIBITED.

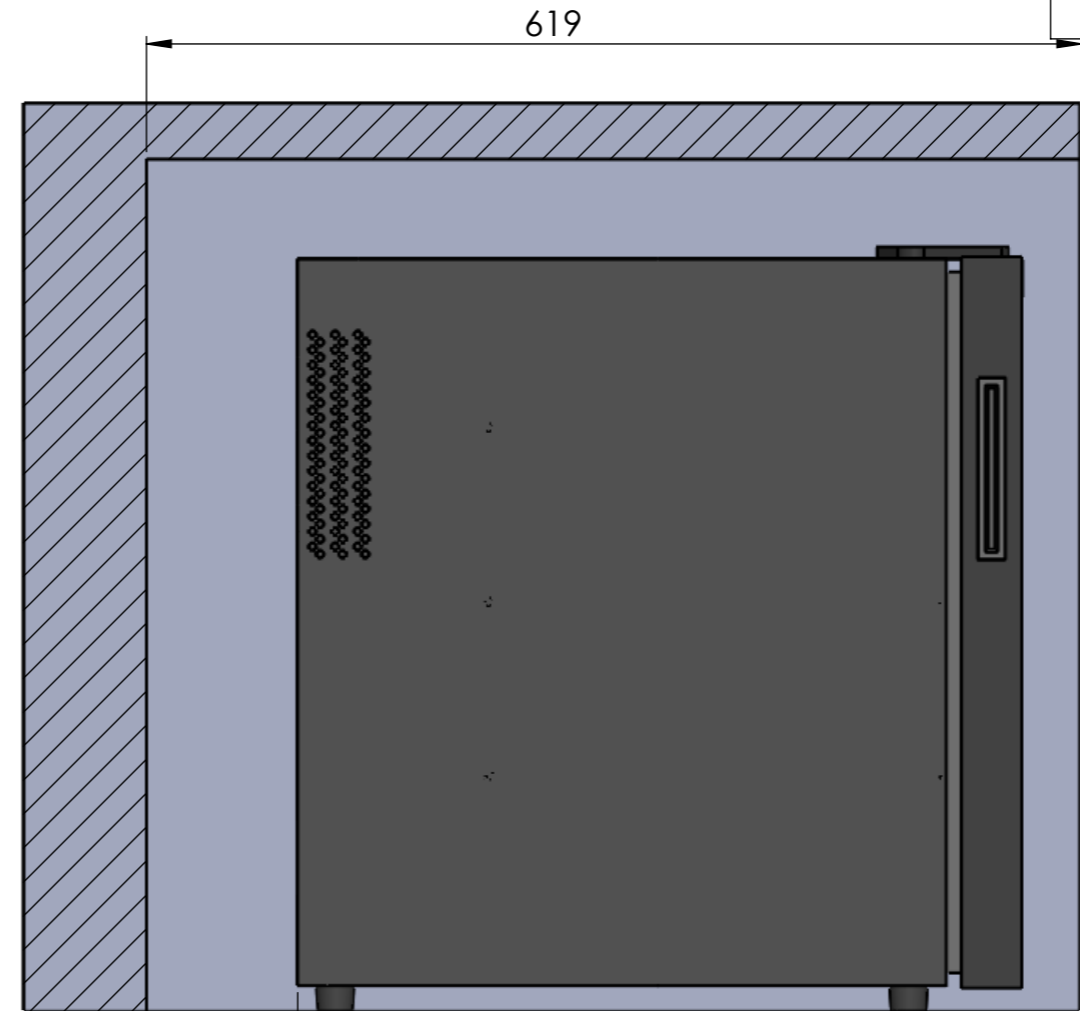
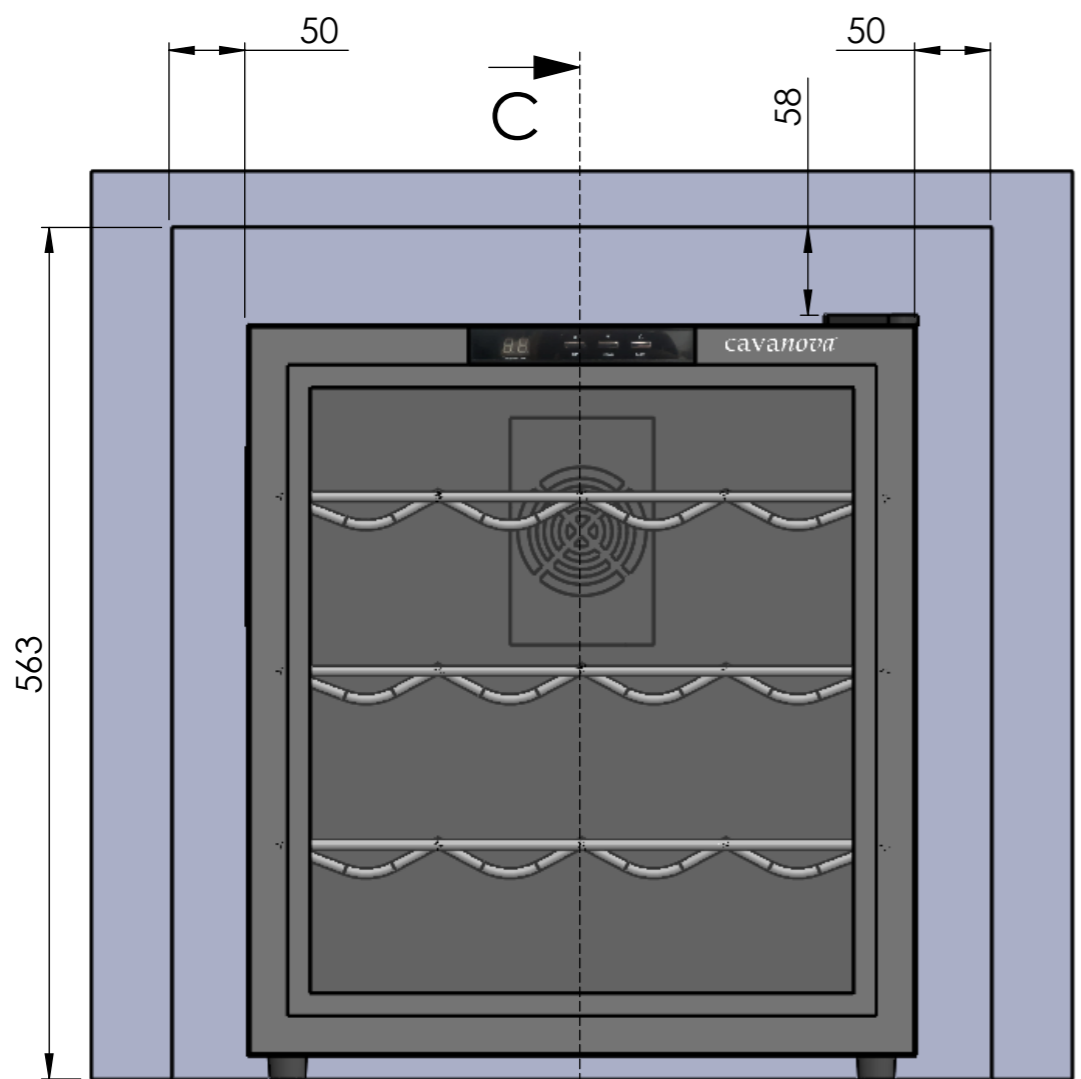
Sign:



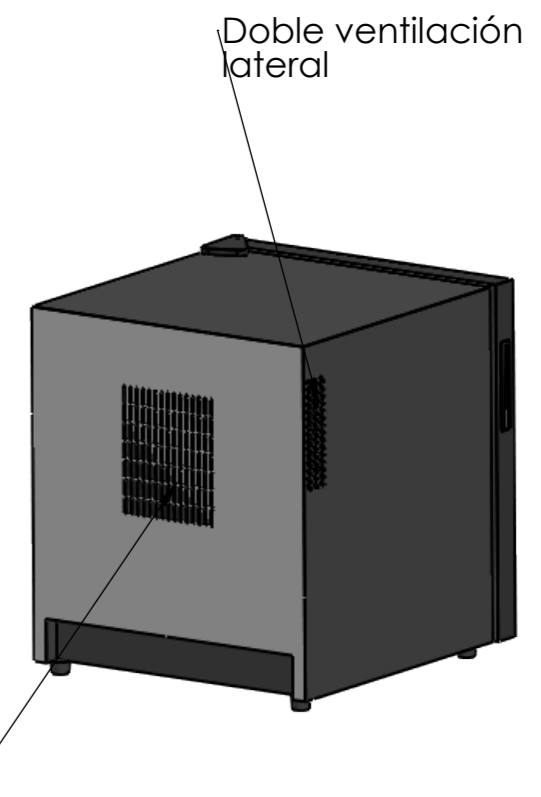
Description:  
Apertura de puerta

Client:
Material:
Reference: CV016
Count:
Pages: 3 OF 4

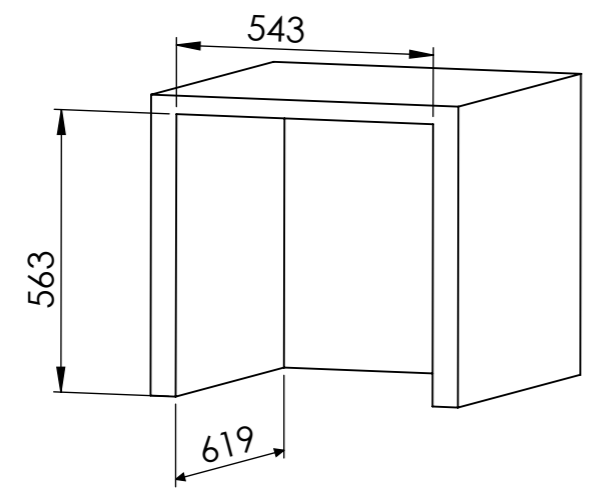
MEDIDAS RECOMENDADAS	
ALTURA	563mm mín
PROFUNDIDAD	100mm mín (libre atrás)
ANCHURA	50mm por cada lado



SECCIÓN C-C  
ESCALA 1:5



NO OBSTRUIR VENTILACIÓN



Medidas para hueco

Sign:

Date	Name	cavanova	
Design: 09/10/2018	Diego	<small>THE INFORMATION CONTAINED IN THIS DRAWING IS THE SOLE PROPERTY OF CAVANOVA WINE S.L. IN MÁLAGA, SPAIN. ANY REPRODUCTION IN PART OR AS A WHOLE WITHOUT THE WRITTEN PERMISSION OF CAVANOVA WINE S.L. IS PROHIBITED.</small>	
Checked:	Diego		
Modified:	Diego		
Scale: 1:10	Part name: CV016-ENTORNO	Top assembly: CV018M	Client: Cavanova
Unit: mm	Description: Empotramiento del equipo (built-in)		Material: Varios
			Reference: CV016-ENTORNO
			Count:
			Pages: 4 OF 4